

WELDING | GRINDING | DEBURRING | POLISHING | SANDING | THERMAL CUTTING |
DRY DUST | HAZARDOUS DUST | SANDBLASTING | POWDER COATING

OVERVIEW

The CORAL AIRCOMPACT is constructed from galvanized sheet panels and is equipped with a compressed air cleaning system. The CORAL AIRCOMPACT is designed to filter and separate medium to fine dust with high level of filtering efficiency while offering a continuous reverse jet cleaning system. The CORAL AIRCOMPACT system uses a wide range of filter cartridges designed specifically to deliver peak efficiency for your application.

WORKING PRINCIPLE

The contaminated air enters the lower section of CORAL AIRCOMPACT and, due to the unit's specific design, the velocity is immediately reduced allowing the larger particles to fall out of the air stream into the waste bin.

The fumes or dust then enter the central filter section at very low velocity allowing the filter cartridges to capture the smaller particulate. Clean air then exits the unit.

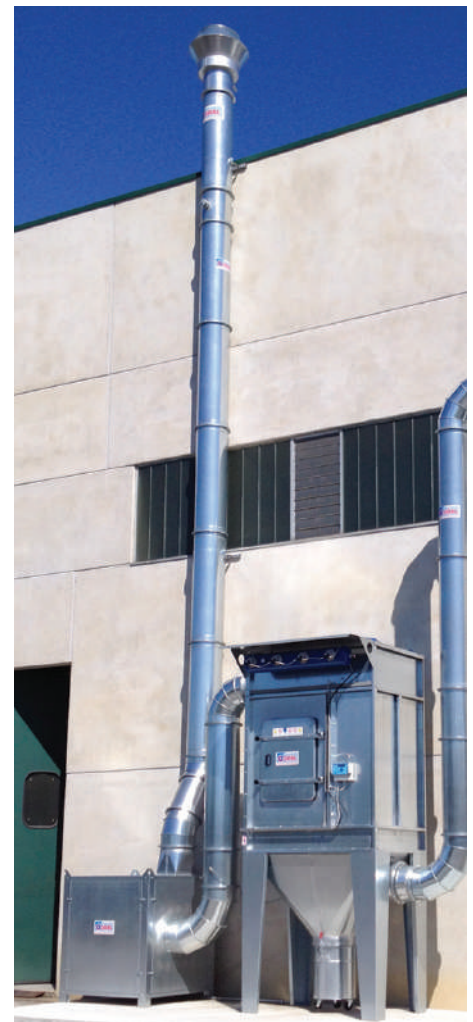
REVERSE PULSE CLEANING

During operation, CORAL AIRCOMPACT is always operating at a perfect level of efficiency thanks to the fully automated pneumatic cleaning system. High pressure compressed air stored in a small storage tank is suddenly released inside the cartridge creating a violent counter-current wave, which reverses the direction of air flow and forces the solids collected on the cartridge surface to fall to the collection bin below.

The pulse-jet self cleaning system is electronically controlled and is constantly monitoring the difference in pressure between the clean and dirty side of the filter. The electronic controller will automatically adjust the cleaning cycles and increase or decrease the frequency of cleaning depending on the level of contamination and the pressure drop across the filter cartridges.

AIRCOMPACT

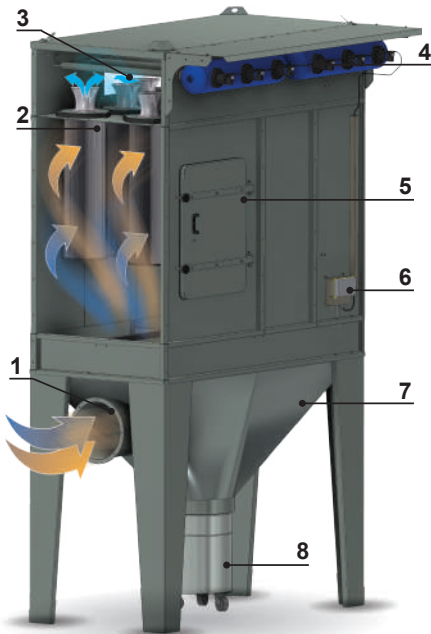
Dust & Fume collector with fully automated reverse pulse cleaning



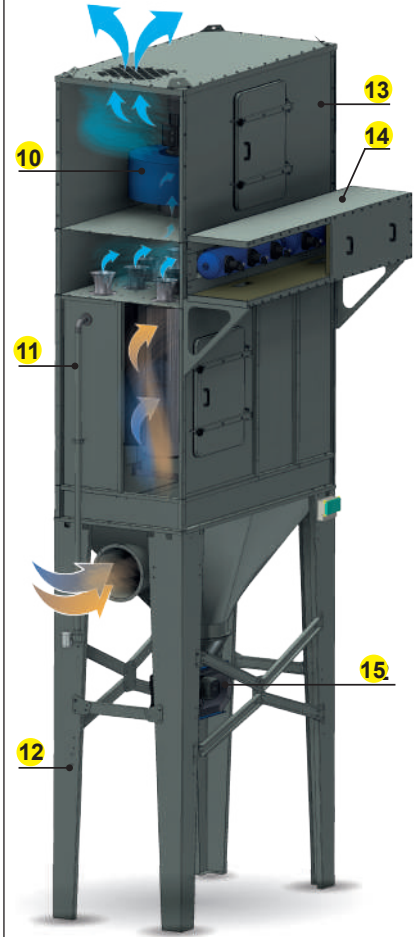
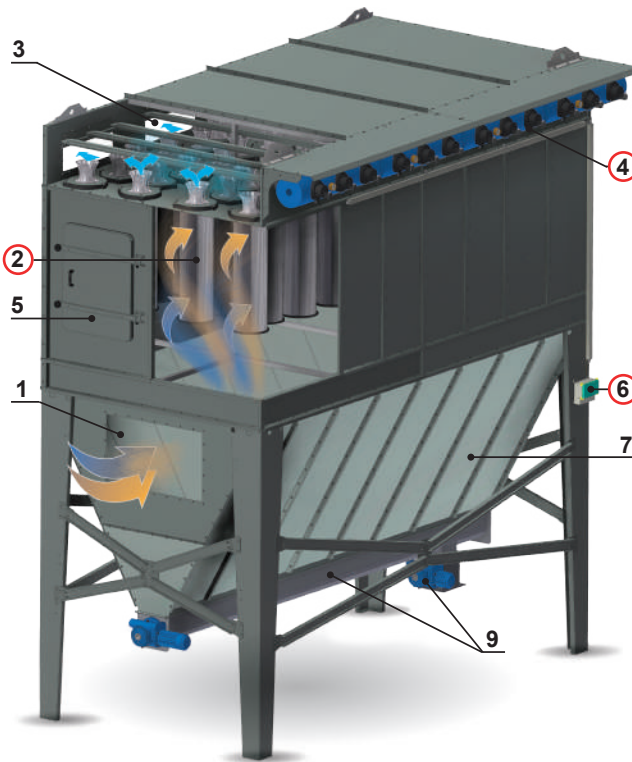
AIRCOMPACT

> OPERATING PRINCIPLE

AIRCOMPACT



AIRCOMPACT CVS



OPTIONALS

LEGEND



Clean air



Air with dust

- 1 Dust inlet
- 2 Filtering cartridge L-PES class (standard)
- 3 Filtered air outlet
- 4 Compressed air tank
- 5 Maintenance door
- 6 Cyclic programmer
- 7 Hopper
- 8 Collection bin
- 9 Screw conveyor


OPTIONALS

- 10 Fan
- 11 Automatic or manual fire extinguishing system
- 12 Legs extension
- 13 Soundproofed box with maintenance door
- 14 Compressed air tank box
- 15 Rotary star valve (standard in CVS model)
- 16 Stair and balcony
- 17 Explosion relief panel
- 18 Deflector for relief panel



2 FILTERING CARTRIDGE

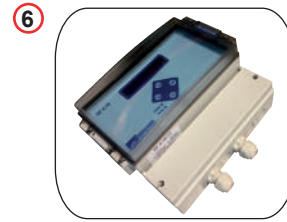
STANDARD
L PES polyester

OPTIONALS
M PES/TF polyester/PTFE coating
M PES+ PTFE/membrane polyester/teflon membrane
M-PES/AX/EXAM ACCREDITED polyester/aluminum coated/antistatic
M PES polyester
M-PES+PTFE/Membrane-H Fabric with H13 filtration efficiency
 Cartridge model choice could affect various parameters.



MEMBRANE ELECTRO VALVE: two way valve normally closed; it is activated by an electric solenoid. It holds air pressure of max.6 bar. The compressed air tank operates at 4 to 6 bar.

	AIRCOMPACT 6-8-12-18	AIRCOMPACT 16-24-36-48-60-72
SOLENOID VALVE MODEL	SP 30	SP 50
GAS FITTINGS (IN)	1 ½	2
PRESSURE (P.S.I.)	87	
MAX FLUID TEMPERATURE (°F)	80	80
VOLTAGE (V)	24 AC	24 AC
FREQUENCY (HZ)	50/60	50/60
POWER ABSORBED (V)	19 AC 15 DC	19 AC 15 DC
PROTECTION RATING	IP 65	IP 65
DEGREE OF PURITY OF COMPRESSED AIR	ISO 8573-1 3	ISO 8573-1 3



CYCLIC PROGRAMMER (PLC): a sealed container is used with a transparent lid, duration of injection and pause phases are preset but easily changeable.

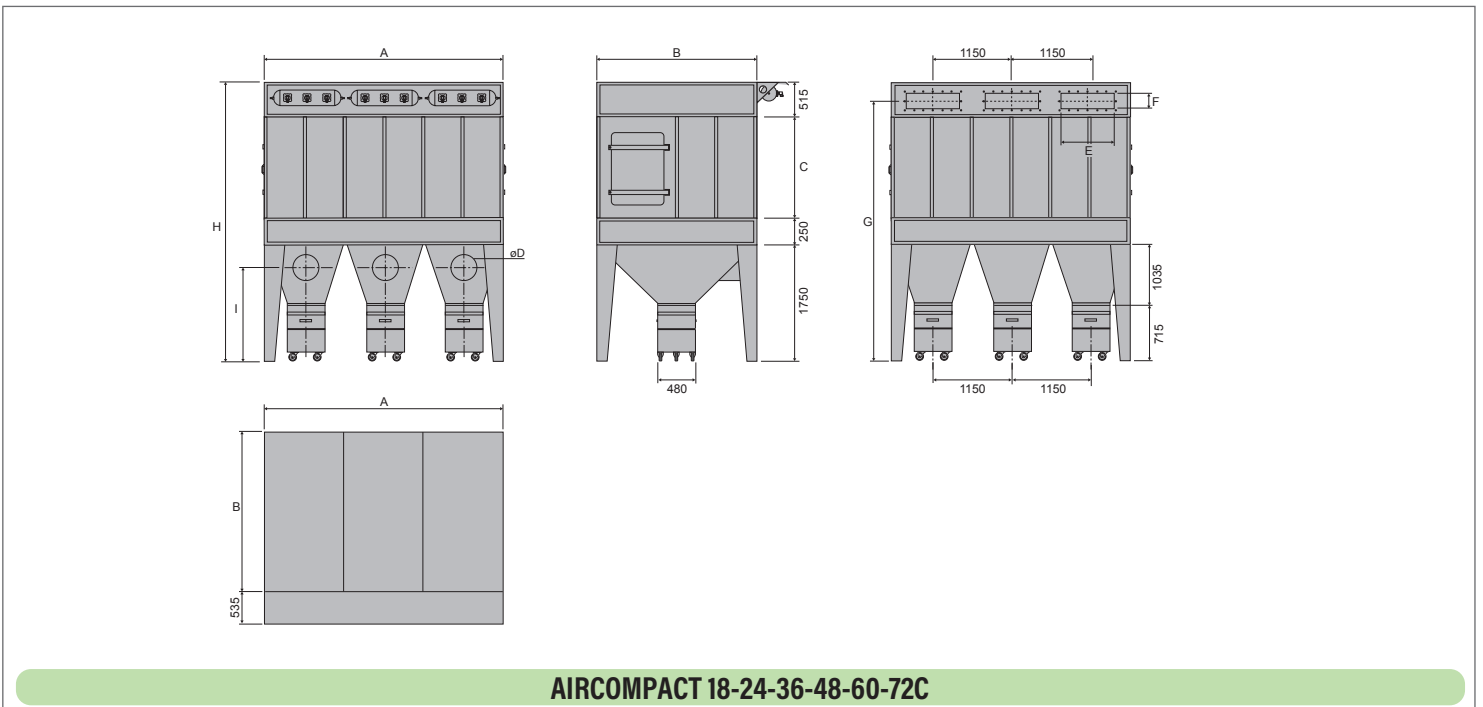
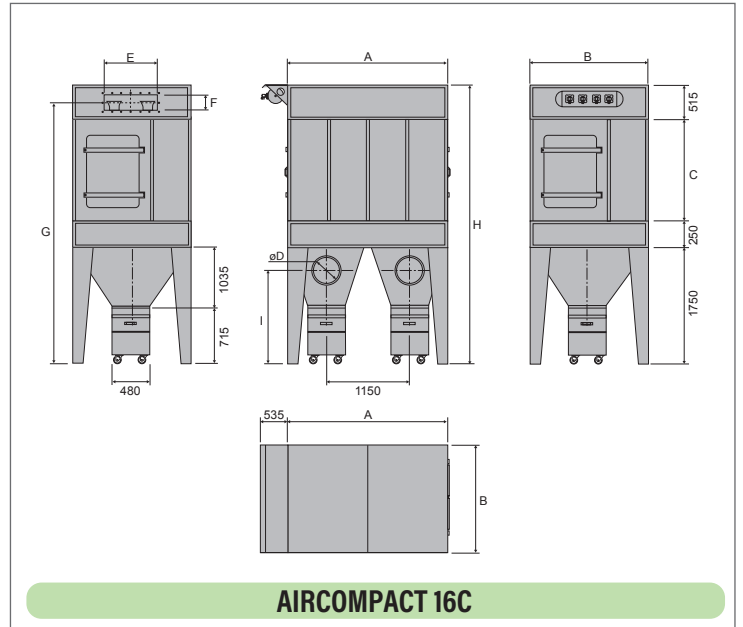
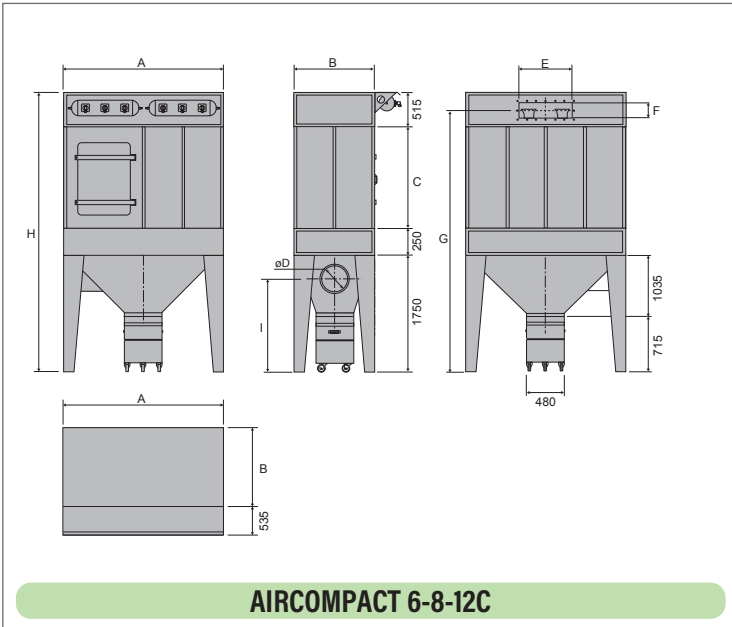
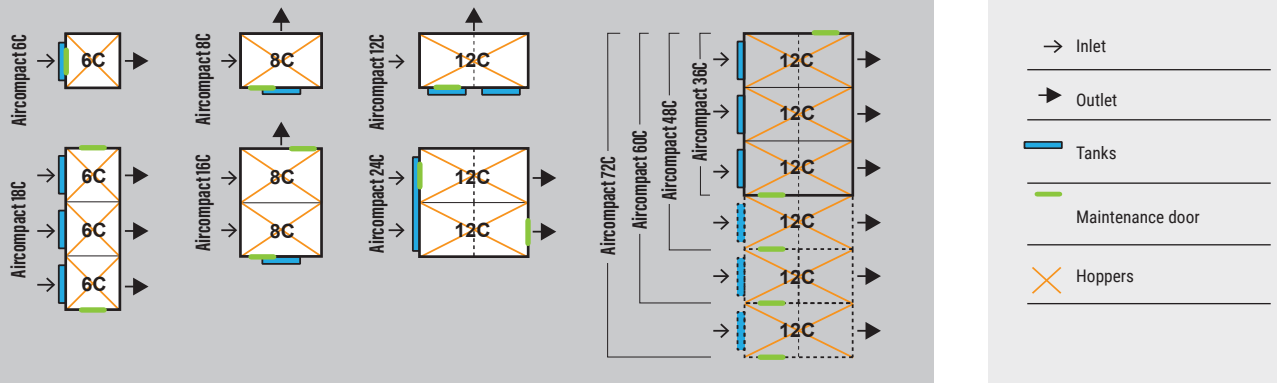
IN/OUT VOLTAGE	230 V / 24VAC
MAXIMUM CHARGING POWER	20VA pulse
TEMPERATURE RANGE	-15°C ÷ +50°C
DISPLAY	5 LEDs h 13mm
PROTECTION RATING	IP65
DP CONTROL	Internal transducer 0÷10 kPa
DIMENSIONS	235 x 190 x 120 mm
TERMINAL BOARD	2.5 mm ² 250VAC



AIRCOMPACT

TECHNICAL FEATURES

STANDARD CONFIGURATION

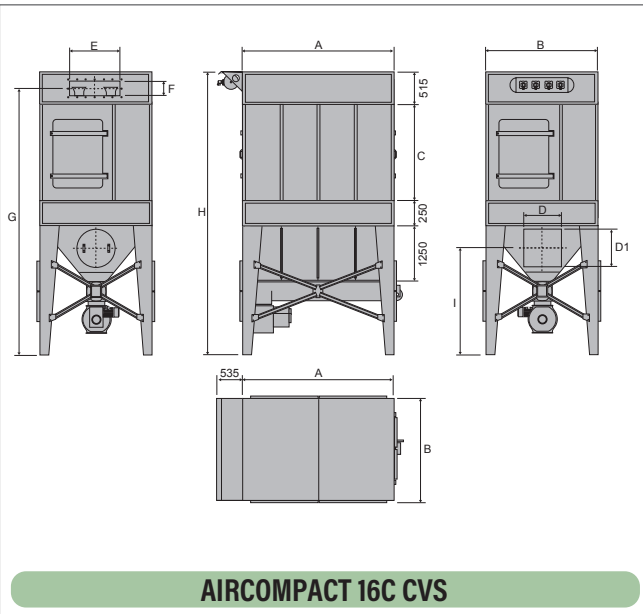
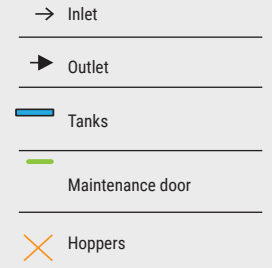
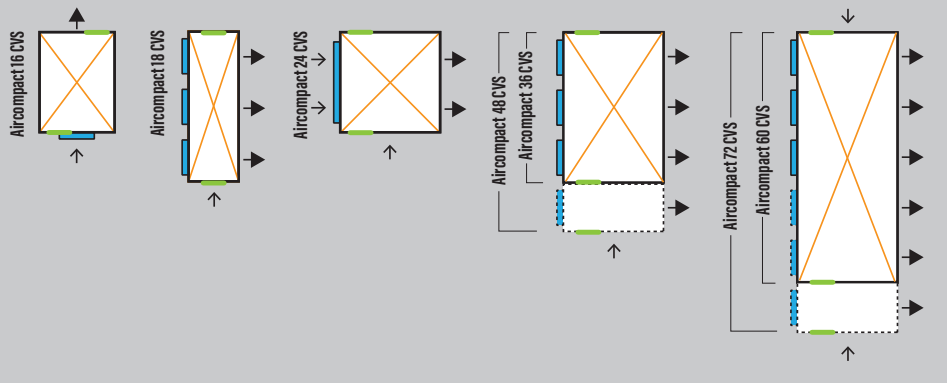


	DIMENSIONS (inches)									
	Filter						Inlet		Outlet	
	A	B	C	G	H	I	N°	ØD	N°	ExF
AIRCOMPACT 6C 700	45	45	39	124	138	53	1	15	1	27 x 7
AIRCOMPACT 6C 1000	45	45	59	144	158	53	1	15	1	27 x 7
AIRCOMPACT 6C 1200	45	45	59	144	158	53	1	15	1	27 x 7
AIRCOMPACT 8C 1000	66	45	59	144	158	53	1	15	1	27 x 7
AIRCOMPACT 8C 1200	66	45	59	144	158	53	1	15	1	27 x 7
AIRCOMPACT 12C 1000	90	45	59	144	158	53	1	15	1	27 x 7
AIRCOMPACT 12C 1200	90	45	59	144	158	53	1	15	1	27 x 7
AIRCOMPACT 16C 1000	90	66	59	144	158	53	2	15	1	27 x 7
AIRCOMPACT 16C 1200	90	66	59	144	158	53	2	15	1	27 x 7
AIRCOMPACT 18C 1000	136	45	59	144	158	53	3	15	3	27 x 7
AIRCOMPACT 18C 1200	136	45	59	144	158	53	3	15	3	27 x 7
AIRCOMPACT 24C 1000	90	90	59	144	158	53	2	15	2	27 x 7
AIRCOMPACT 24C 1200	90	90	59	144	158	53	2	15	2	27 x 7
AIRCOMPACT 36C 1000	136	90	59	144	158	53	3	15	3	27 x 7
AIRCOMPACT 36C 1200	136	90	59	144	158	53	3	15	3	27 x 7
AIRCOMPACT 48C 1000	181	90	59	144	158	53	4	15	4	27 x 7
AIRCOMPACT 48C 1200	181	90	59	144	158	53	4	15	4	27 x 7
AIRCOMPACT 60C 1000	226	90	59	144	158	53	5	15	5	27 x 7
AIRCOMPACT 60C 1200	226	90	59	144	158	53	5	15	5	27 x 7
AIRCOMPACT 72C 1000	272	90	59	144	158	53	6	15	6	27 x 7
AIRCOMPACT 72C 1200	272	90	59	144	158	53	6	15	6	27 x 7

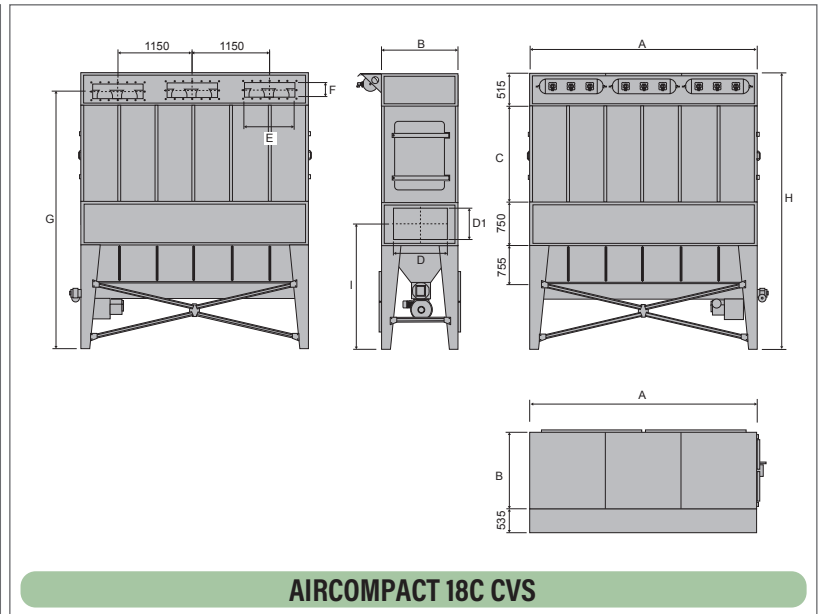
	PNEUMATIC CLEANING			CARTRIDGES IFA/BGIA L-PES				
	N° tanks	Air volume	Valves				Filtering surface	Max air flow
	N° x Ø	gal	N° x Ø	Ø	H	N°	sq.ft	cfm
AIRCOMPACT 6C 700	1x Ø8"	8,98	3x1½"	12	27	6	721	2100
AIRCOMPACT 6C 1000	1x Ø8"	8,98	3x1½"	12	39	6	1033	3100
AIRCOMPACT 6C 1200	1x Ø8"	8,98	3x1½"	12	47	6	1291	3600
AIRCOMPACT 8C 1000	1x Ø8"	11,88	4x1½"	12	39	8	1377	4100
AIRCOMPACT 8C 1200	1x Ø8"	11,88	4x1½"	12	47	8	1722	4900
AIRCOMPACT 12C 1000	2x Ø8"	17,96	6x1½"	12	39	12	2066	6100
AIRCOMPACT 12C 1200	2x Ø8"	17,96	6x1½"	12	47	12	2583	7300
AIRCOMPACT 16C 1000	1x Ø10"	19,02	4x2"	12	39	16	2755	8000
AIRCOMPACT 16C 1200	1x Ø10"	19,02	4x2"	12	47	16	3444	9700
AIRCOMPACT 18C 1000	3x Ø8"	26,94	9x1½"	12	39	18	3100	9100
AIRCOMPACT 18C 1200	3x Ø8"	26,94	9x1½"	12	47	18	3875	11000
AIRCOMPACT 24C 1000	1x Ø10"	30,64	6x2"	12	39	24	4133	12200
AIRCOMPACT 24C 1200	1x Ø10"	30,64	6x2"	12	47	24	5166	14500
AIRCOMPACT 36C 1000	3x Ø10"	43,85	9x2"	12	39	36	6200	18200
AIRCOMPACT 36C 1200	3x Ø10"	43,85	9x2"	12	47	36	7750	21800
AIRCOMPACT 48C 1000	4x Ø10"	58,38	12x2"	12	39	48	8266	24100
AIRCOMPACT 48C 1200	4x Ø10"	58,38	12x2"	12	47	48	10333	29400
AIRCOMPACT 60C 1000	5x Ø10"	73,17	15x2"	12	39	60	10333	30600
AIRCOMPACT 60C 1200	5x Ø10"	73,17	15x2"	12	47	60	12916	36500
AIRCOMPACT 72C 1000	6x Ø10"	87,70	18x2"	12	39	72	12400	36500
AIRCOMPACT 72C 1200	6x Ø10"	87,70	18x2"	12	47	72	15500	43800

TECHNICAL FEATURES

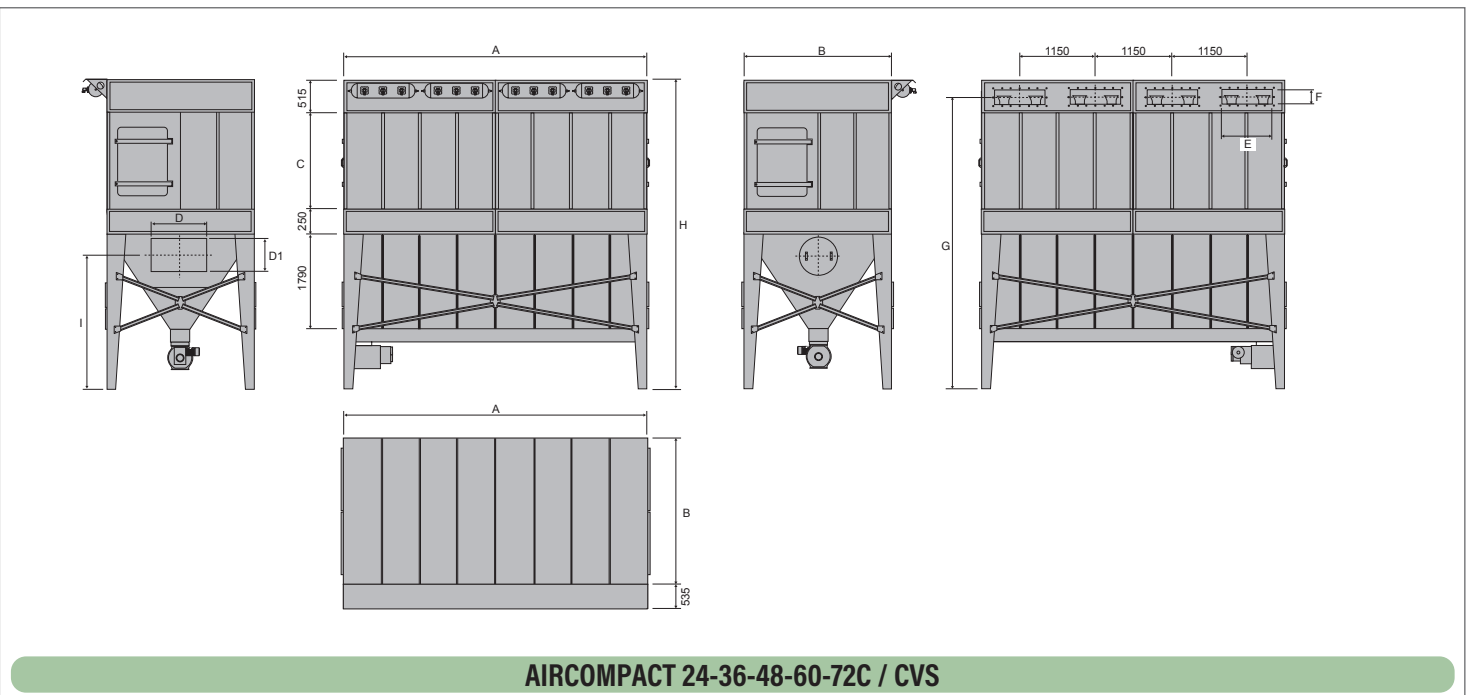
STANDARD CONFIGURATION



AIRCOMPACT 16C CVS



AIRCOMPACT 18C CVS



AIRCOMPACT 24-36-48-60-72C / CVS

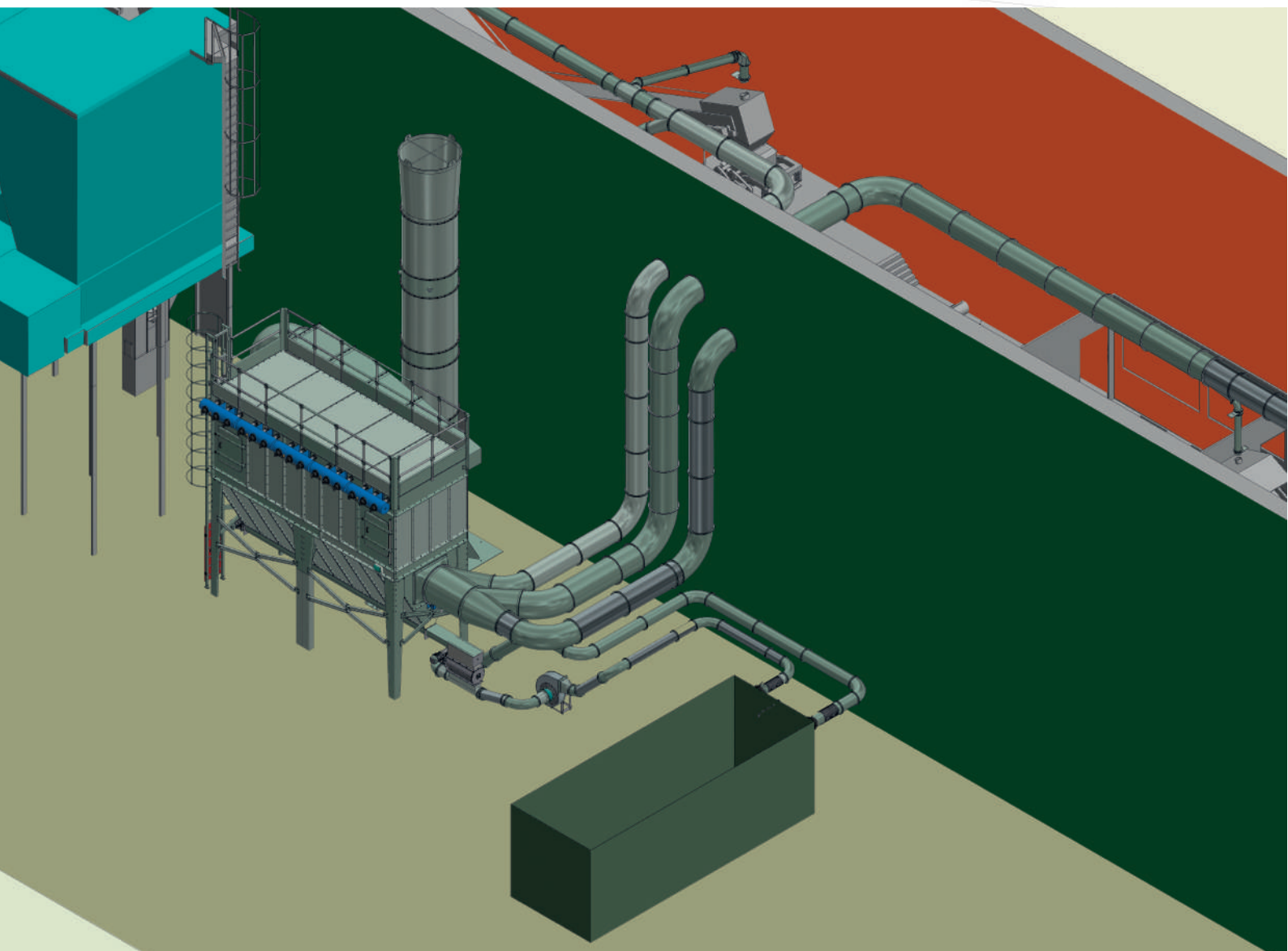
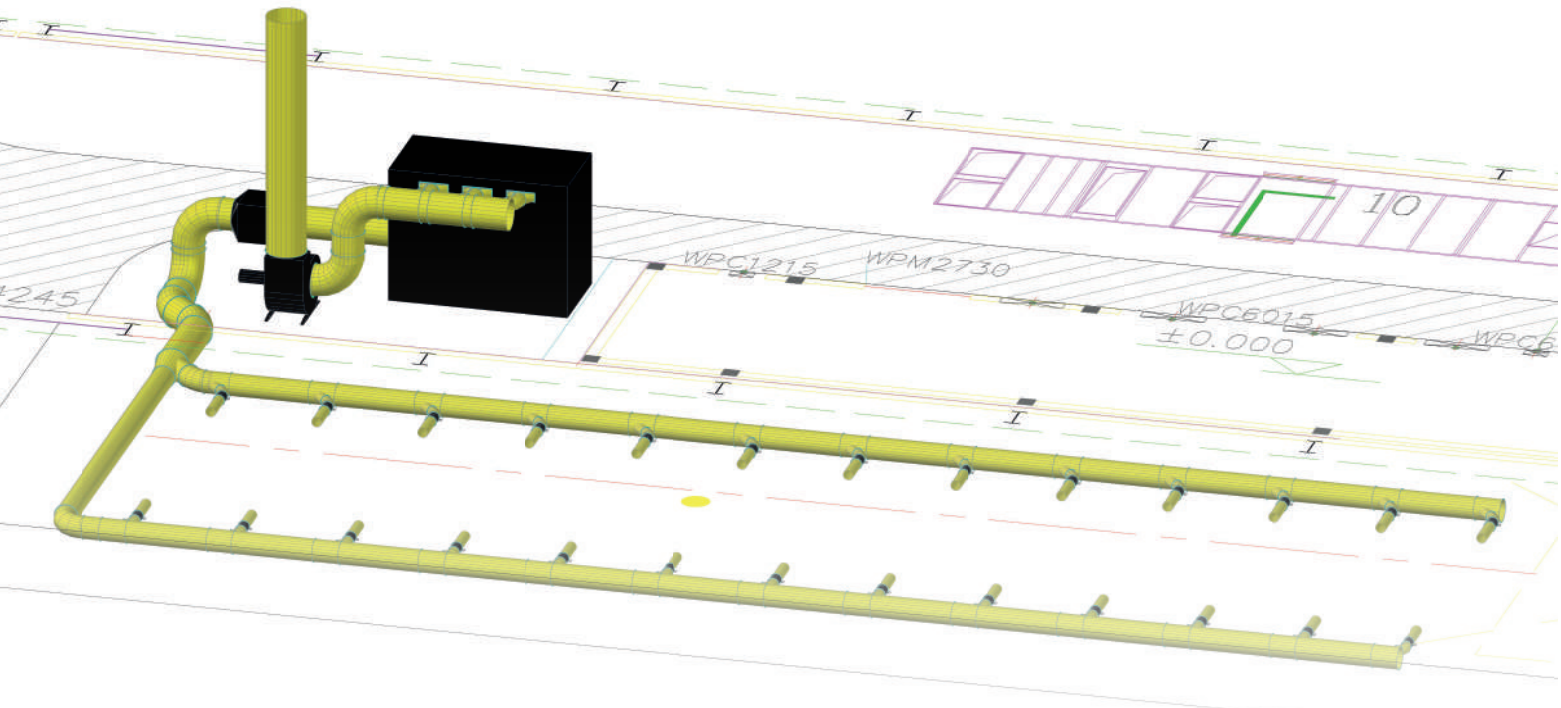
AIRCOMPACT CVS

- Version with hopper, screw conveyor and rotary valve.

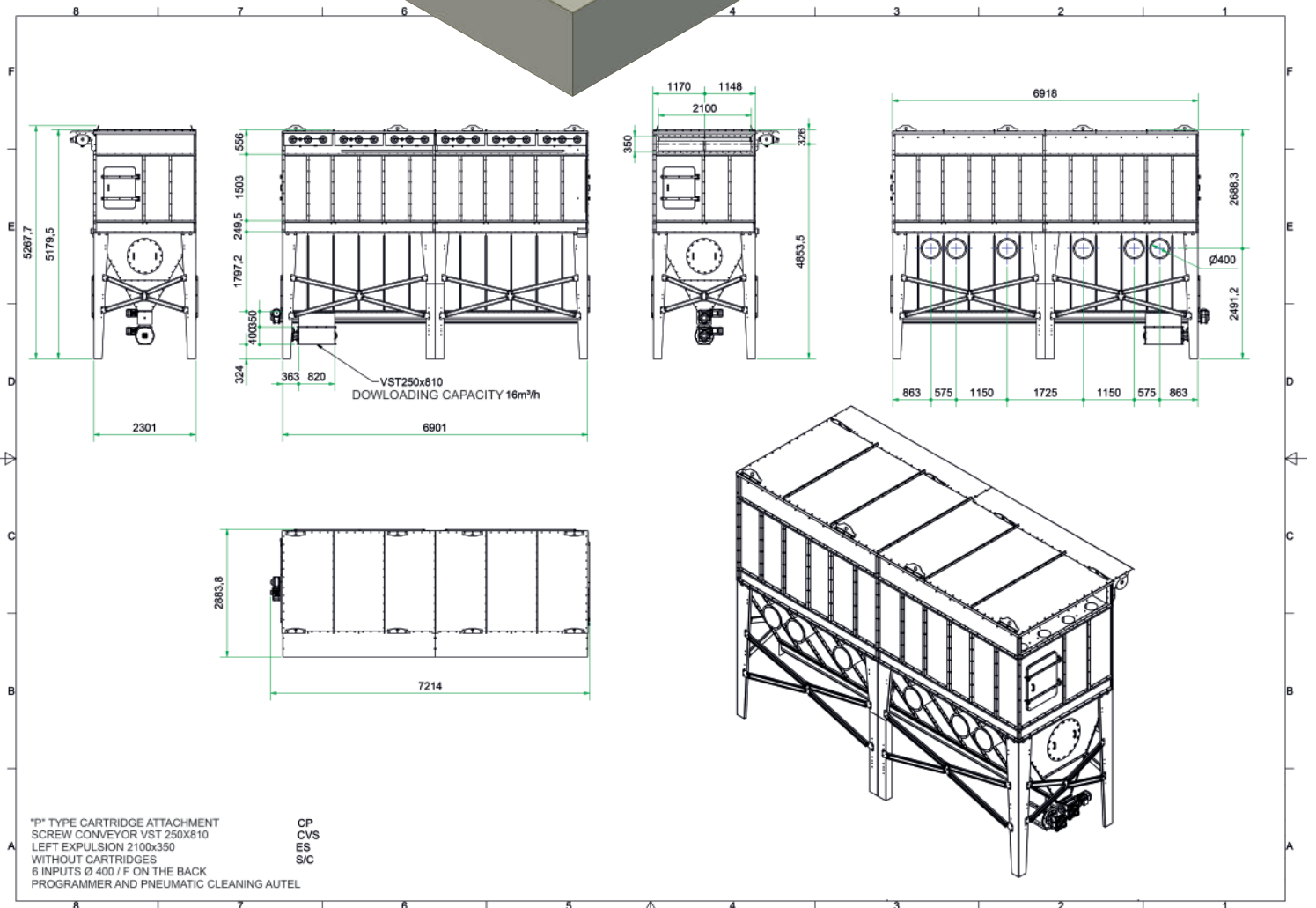
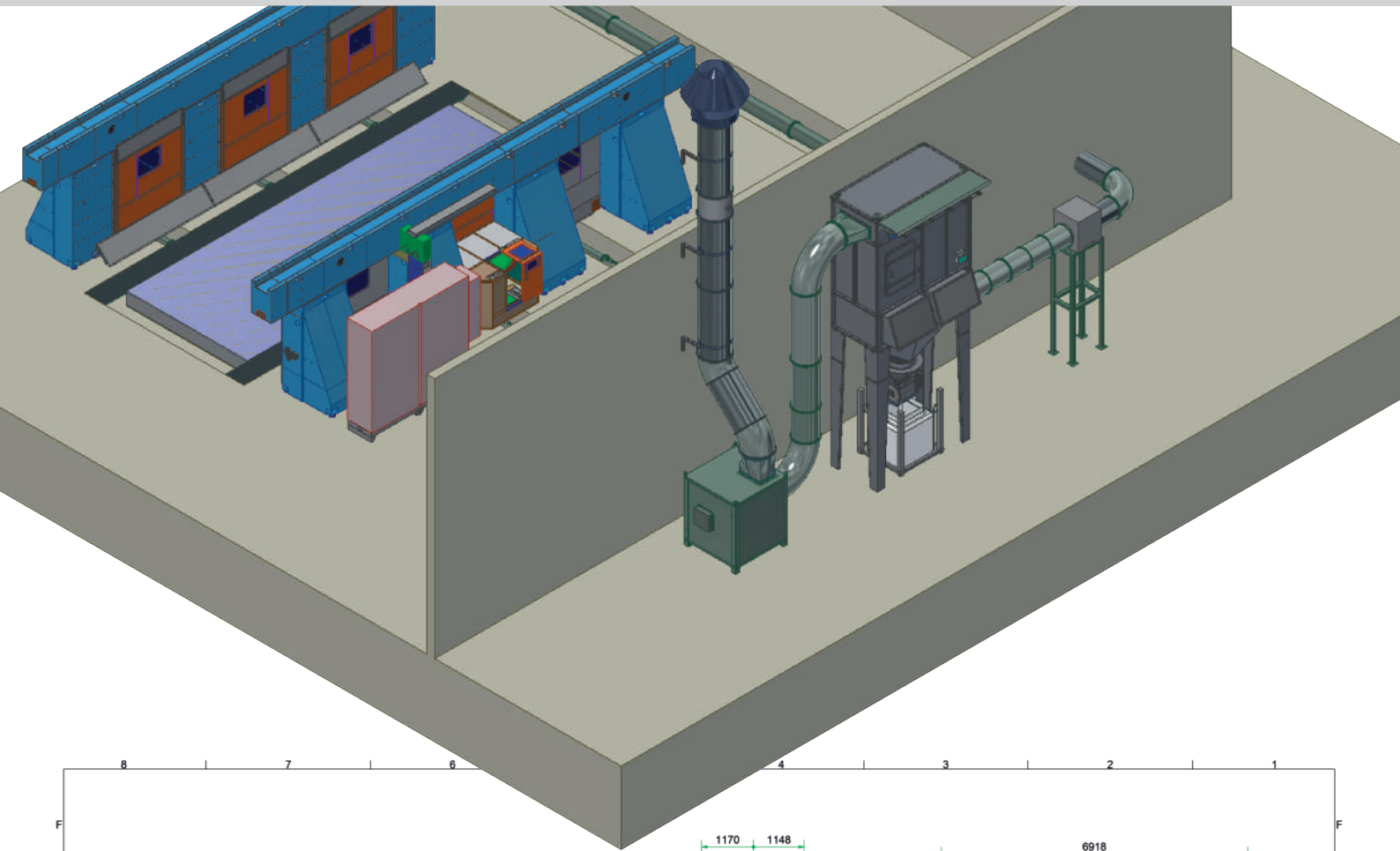
	DIMENSIONS (inches)									
	Filter						Inlet		Outlet	
	A	B	C	G	H	I	N°	DxD1	N°	ExF
AIRCOMPACT 16C 1000 CVS	90	66	59	188	203	83	1	27 x 25	1	27 x 7
AIRCOMPACT 16C 1200 CVS	90	66	59	188	203	83	1	27 x 25	1	27 x 7
AIRCOMPACT 18C 1000 CVS	135	45	59	170	183	87	1	31 x 17	3	27 x 7
AIRCOMPACT 18C 1200 CVS	135	45	59	170	183	87	1	31 x 17	3	27 x 7
AIRCOMPACT 24C 1000 CVS	90	3	59	188	203	95	1	39 x 23	2	27 x 7
AIRCOMPACT 24C 1200 CVS	90	3	59	188	203	95	1	39 x 23	2	27 x 7
AIRCOMPACT 36C 1000 CVS	136	3	59	188	203	95	1	39 x 23	3	27 x 7
AIRCOMPACT 36C 1200 CVS	136	3	59	188	203	95	1	39 x 23	3	27 x 7
AIRCOMPACT 48C 1000 CVS	181	3	59	188	203	95	1	39 x 23	4	27 x 7
AIRCOMPACT 48C 1200 CVS	181	3	59	188	203	95	1	39 x 23	4	27 x 7
AIRCOMPACT 60C 1000 CVS	226	3	59	188	203	91	2	39 x 31	5	27 x 7
AIRCOMPACT 60C 1200 CVS	226	3	59	188	203	91	2	39 x 31	5	27 x 7
AIRCOMPACT 72C 1000 CVS	272	3	59	188	203	91	2	39 x 31	6	27 x 7
AIRCOMPACT 72C 1200 CVS	272	3	59	188	203	91	2	39 x 31	6	27 x 7

	PNEUMATIC CLEANING			CARTRIDGES IFA/BGIA L-PES				
	N° tanks	Air volume	Valves				Filtering surface	Max air flow
	N° x Ø	gal	N° x Ø	Ø	H	N°	sq.ft	cfm
AIRCOMPACT 16C 1000 CVS	1x Ø10"	19	4x2"	12	39	16	2755	8000
AIRCOMPACT 16C 1200 CVS	1x Ø10"	19	4x2"	12	47	16	3444	9700
AIRCOMPACT 18C 1000 CVS	3x Ø8"	26	9x1½"	12	39	18	3100	9100
AIRCOMPACT 18C 1200 CVS	3x Ø8"	26	9x1½"	12	47	18	3875	11000
AIRCOMPACT 24C 1000 CVS	1x Ø10"	30	6x2"	12	39	24	4133	12200
AIRCOMPACT 24C 1200 CVS	1x Ø10"	30	6x2"	12	47	24	5166	14500
AIRCOMPACT 36C 1000 CVS	3x Ø10"	43	9x2"	12	39	36	6200	18200
AIRCOMPACT 36C 1200 CVS	3x Ø10"	43	9x2"	12	47	36	7750	21800
AIRCOMPACT 48C 1000 CVS	4x Ø10"	58	12x2"	12	39	48	8266	24100
AIRCOMPACT 48C 1200 CVS	4x Ø10"	58	12x2"	12	47	48	10333	29400
AIRCOMPACT 60C 1000 CVS	5x Ø10"	73	15x2"	12	39	60	10333	30600
AIRCOMPACT 60C 1200 CVS	5x Ø10"	73	15x2"	12	47	60	12916	36500
AIRCOMPACT 72C 1000 CVS	6x Ø10"	87	18x2"	12	39	72	12400	36500
AIRCOMPACT 72C 1200 CVS	6x Ø10"	87	18x2"	12	47	72	15500	43800

AIRCOMPACT



INSTALLATION EXAMPLES



AIRCOMPACT





coralnorthamerica.com



CORAL USA CORP.
19121 Marketplace Avenue, Bldg. 1 Suite 165 KYLE, TX 78640, United States of America
Cell: +1 480 796 5352 E: info@coral.us www.coralnorthamerica.com